

Model 340AJ

ARTICULATING BOOM LIFTS



MORE ECONOMIC

- Get higher productivity and efficiency plus lower costs and emissions with Advanced Design Electronics.

MORE PRODUCTIVE

- Equipped with hydrostatic drive for easy, precise, infinitely-variable-speed manoeuvrability.

MORE ACCESS

- Conquer rough terrain with standard oscillating axle and four-wheel drive, delivering optimised grip and stability.

SMART DESIGN

- Reduce maintenance with an all steel turntable hood to protect components.

Standard Features

- 0.76 m x 1.52 m low mount platform
- Multiple function operation
- Full proportional drive joystick control with integral thumb steer switch
- Full proportional main boom and swing joystick control
- Multiple speed control for lower boom, telescope and platform rotate
- Selectable creep speed on drive / lift and swing functions
- 1.22 m articulating jib
- 180 degree powered platform rotator
- Platform console machine status light panel ¹
- Load sensing system
- AC power cable to platform
- Engine distress warning /shut down system ²
- Gull wing steel turntable hoods
- 3 degree tilt alarm and indicator light
- Oscillating front axle
- Lifting/tie down lugs
- Hour meter
- Ground control selector switch with key lock
- Low fuel engine cut-out
- Platform tool tray
- Cast Aluminum Control Box
- Horn
- Hydrostatic drive transmission
- Side entry with drop bar mid rail
- Swing-out engine tray
- Interactive Display at Ground Controls
- Control ADE[®] Advanced Design Electronics System
- JLG Skyguard active system

¹ Provides indicator lights at platform control console for system distress, low fuel, tilt light, and foot switch status.

² Low oil pressure and high coolant temperature alarms with shut-down enabled/disabled by analyser.

Standard Specifications

Power Source	
• Diesel Engine	Kubota D1105 18.5 kW
• Fuel Tank Capacity	49 L
Hydraulic System	106 L
• Auxiliary Power	12V DC
Tyres	
• Foam Filled	9 x 20



Accessories & Options

- 0.76 m x 1.22 m slide bar side entry platform
- 0.76 m x 1.22 m Self closing inward swing gate
- 0.76 m x 1.52 m Self closing inward swing gate
- 13 mm air line to platform
- 9 x 20 foam filled non marking tyres
- 7 x 18 solid flex tyres
- 7 x 18 solid flex non marking tyres
- All motion alarm
- Alarm package ³
- Light package ⁴
- Platform worklights
- Flashing amber beacon
- Euro Plug & Socket
- Hostile environment kit ⁵
- Catalytic Exhaust Purifier
- On-board 4,000W generator
- Skyguard beacon (ILOS)
- Generator hourmeter
- Synthetic Biodegradable Hydraulic Oil
- Head & Tail Lights
- Special paint colour

³ Includes all-motion alarm and flashing amber beacon.

⁴ Includes platform mounted work lights and head & tail lights.

⁵ Includes console cover, boom wipers and cylinder bellows.

Model 340AJ

ARTICULATING BOOM LIFTS

Performance

• Working Height	12.33 m
• Working Outreach	6.71 m
• Up and Over Height	5.17 m
• Swing (non continuous)	355°
• Platform Capacity – Unrestricted	230 kg
• Platform Rotator (Hydraulic)	180°
• Jib – Overall Length	1.22 m
• Jib – Range of articulation	139° (+79°/-60°)
A. Platform Size	0.76 m x 1.52 m
B. Overall Width	1.93 m
C. Tailswing (working condition)	5 cm
D. Stowed Height	2.00 m
E. Stowed Length ³	5.52 m ²
F. Wheelbase	1.87 m
G. Ground Clearance	0.24 m
• Machine weight ^{1/2}	4,450 kg
• Maximum Ground Bearing Pressure	4.6kg/cm ²
• Drive Speed 4WD	5 km/h
• Gradeability 4WD	45%

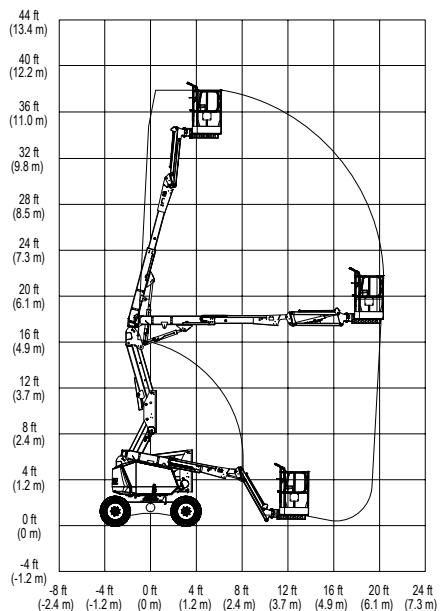
¹ Certain options or country standards may increase weight and/or dimensions.

² With Standard tires

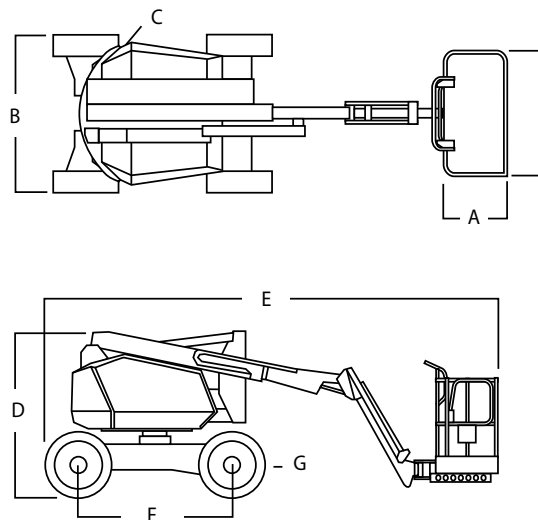
³ May be reduced to 3.98 m for storage / transport.



Reach Diagram



Dimensions



IMPORTANT

JLG is continually researching and developing products and reserves the right to make modifications without prior notice. All data in this document is indicative. Certain options or country standards will increase weight. Specifications may change to meet country standards or with the addition of optional equipment.

Due to continuous product improvements, JLG Industries reserves the right to make specification and/or equipment changes without prior notification.



JLG EMEA BV

Polaris Avenue 63
2132 JH Hoofddorp
The Netherlands
Phone: +31 (0)23 565 5665
www.jlg.com

An Oshkosh Corporation Company